

FITTING INSTRUCTIONS

THINK
AUTOMOTIVE
ltd

OT/2 THERMOSTATIC OIL CONTROL

A positive control for engine oil temperature for use in conjunction with all types of oil cooler including vehicle manufacturers original equipment.

Fig 1.

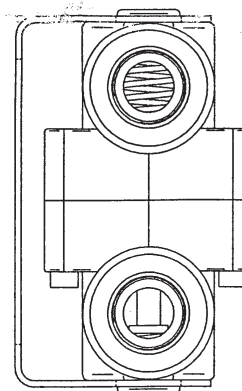
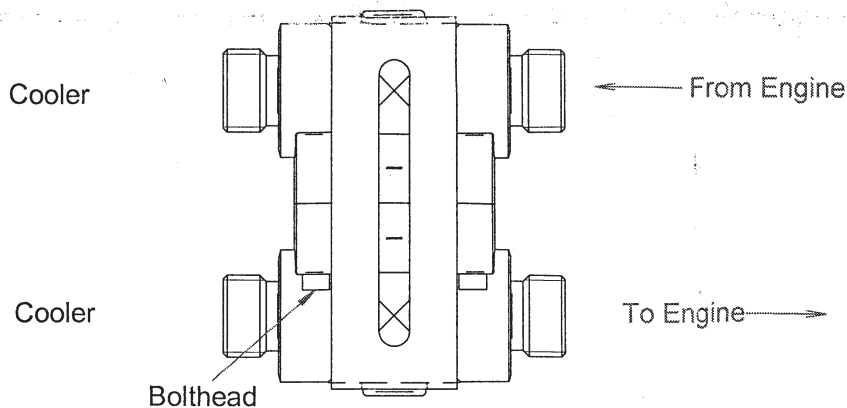
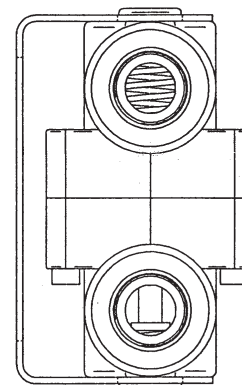
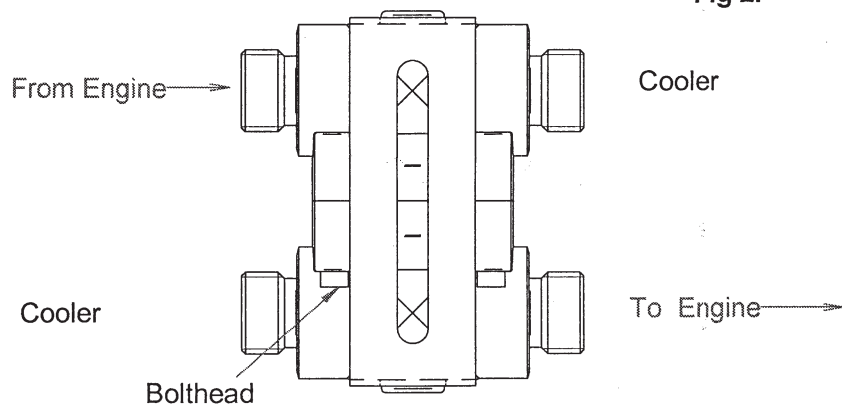


Fig 2.



FITTING INSTRUCTIONS

It is recommended that the oil cooler kit be fitted before the thermostat is installed.

1. Select suitable place for fitting the thermostat away from moving parts and at a place where hoses run parallel.
2. With ignition turned off (high tension lead disconnected), turn engine over on starter and note which pipe carries the oil supply from the engine.
3. Connect up hoses as shown on figure 1.

On some cars, especially BMC front wheel drive vehicles, the hoses do not run parallel for sufficient length for the thermostat to be fitted. In these cases the thermostat may be fitted diagonally as Figure 2.

The thermostat is set to send the oil flow through the cooler at 80 degrees centigrade. At lower temperatures the flow takes the line of least resistance by - passing the colder, thicker oil in the cooler.

The "waxstat" which operates the oilstat will suffer permanent damage if the temperatures exceed 140 degrees centigrade.