

Flywheel and Clutch Parts for 1.6L and 2.0L Ford Engines

Ford 1.6L Flywheel and Clutch Parts

Description	Part No.	Price
JAE Flywheel with 110 tooth Ring Gear, SCCA legal for FF.....	163-01-JAE	\$679.00
<i>Ready to install a six-bolt 7.25" racing clutch (such as our Tilton OT2 - see below).</i>		
Standard Ring Gear, 10.00 inch I.D (110 tooth).....	163-02	\$58.99
High Strength Ring Gear, 10.00 inch I.D.(110 tooth).....	163-07	\$149.99
Pilot Bearing for clutch input shaft.....	161-10	\$23.99
Clutch Cover, Stock (Ford Cortina).....	163-05-Stk.	\$399.99
Clutch Cover Locating Dowel, Stock (not for racing clutch).....	163-04	\$6.99
Clutch Cover Bolt, Stock (Ford Cortina).....	163-08	\$2.79
Flywheel Bolt, Stock, each.....	163-20	\$4.99
ARP High-Strength Flywheel Bolts, set of 6.....	ARP206-2802	\$25.23
Throw-out Bearing for standard external slave cylinder.....	1410-C26	\$49.99
Retaining Clip for Throw Out Bearing, H.D.....	1410-C27	\$2.99
FF Bobbin for standard clutch (external slave cylinder), 1.30".....	1410-C28-1	\$169.99
Extra Long FF Bobbin for 7 1/4 inch racing clutches, 1.94".....	1410-C28-2	\$169.99
Bushing for FF Bobbin (use 1 for std, 2 for long).....	1410-C44-1	\$4.99
Clutch Alignment Tool, 7/8 x 20 spline.....	163-40	\$9.99

Ford 1.6L Tilton OT2 7 1/4 inch Single Plate Clutches

The Tilton OT2 is a very lightweight and well-made open style clutch. The aluminum cover is much stiffer and lighter than the stamped steel cover used on other popular racing clutches. The Buff spring is rated to 200 lb-ft of torque and is recommended for FF1600 with an external slave cylinder. The heavier Orange spring is rated for 250 lb-ft and works well on FF1600 with a hydraulic release bearing. Racing clutches take quite high force to actuate. Cable operated release mechanisms may not work. Requires modified flywheel such as Part No. 163-01-JAE listed above.

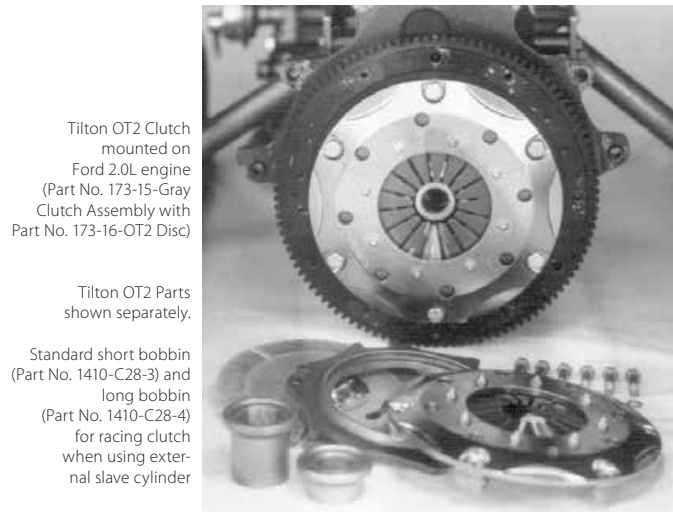
Description	Part No.	Price
Tilton OT2 Clutch, Buff, without disc (less bolts).....	163-15- <i>Buff</i>	\$408.00
Tilton OT2 Clutch, Orange, without disc (less bolts).....	163-15- <i>Orange</i>	\$408.00
7 1/4 inch clutch disc, 7/8 x 20 spline (for single disc clutch).....	163-12-Tilton	\$89.25
Bolt Kit for attachment to flywheel.....	173-19-OT2	\$21.25
<i>Includes 6 AN5-13A (5/16-24 fine thread) bolts and washers</i>		
Replacement clutch cover with Buff spring.....	163-17- <i>Buff</i>	\$272.00
Replacement clutch cover with Orange spring.....	163-17- <i>Orange</i>	\$272.00
Replacement pressure plate.....	173-18-OT2	\$140.25

Ford 1.6L Tilton OT2 7 1/4 inch Twin Plate Clutches



A twin plate clutch can increase the torque capacity by 100% over a single plate clutch (Buff spring: 400 lb-ft; Orange spring: 500 lb-ft; Gray spring: 620 lb-ft). If your application is near the limits of a single plate clutch, this may be the way to improve the reliability and life. The nested discs provide increased clearance for flywheel bolts without sacrificing hub strength. Other disc styles and spare parts are available via special order.

Description	Part No.	Price
Tilton OT2 Twin Plate Clutch, Buff, without discs.....	163-18- <i>Buff</i>	\$518.50
Tilton OT2 Twin Plate Clutch, Orange, without discs.....	163-18- <i>Orange</i>	\$518.50
Tilton OT2 Twin Plate Clutch, Gray, without discs.....	163-18- <i>Gray</i>	\$518.50
7 1/4 inch Nested Hub Inner Disc only, 7/8 x 20 spline.....	163-19- <i>Inner</i>	\$180.62
7 1/4 inch Nested Hub Outer Disc only, 7/8 x 20 spline.....	163-19- <i>Outer</i>	\$180.62



Tilton OT2 Clutch mounted on Ford 2.0L engine (Part No. 173-15-Gray Clutch Assembly with Part No. 173-16-OT2 Disc)

Tilton OT2 Parts shown separately.

Standard short bobbin (Part No. 1410-C28-3) and long bobbin (Part No. 1410-C28-4) for racing clutch when using external slave cylinder

Ford 2.0L Flywheel and Clutch Parts

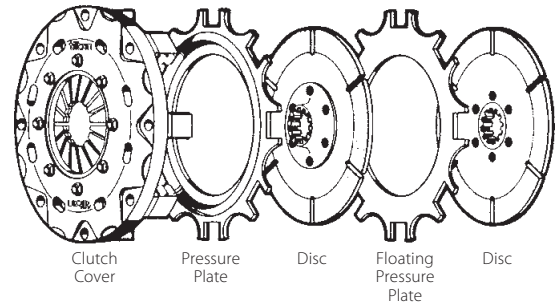
Description	Part No.	Price
Stock Flywheel with 132 tooth Ring Gear.....	173-01-Stk.	\$649.00
110 tooth Ring Gear for older cars with the Lucas starter.....	173-03	\$61.99
Clutch Assembly with Disc, Stock (Ford Pinto).....	173-07- <i>Std.</i>	\$209.99
<i>Includes stock-type clutch cover (pressure plate) assembly and friction disc. Heavier than a racing clutch, but easier to modulate on a standing start.</i>		
Clutch Cover Dowel, Stock (Ford Pinto), each.....	173-10	\$4.99
Clutch Cover Bolt, Stock (Ford Pinto), each.....	173-11	49¢
Clutch Cover Lockwasher, Stock (Ford Pinto), each.....	173-12	13¢
Flywheel Bolt, Stock, each.....	173-20	\$9.79
Heavy-Duty 12-point Flywheel Bolts, set of 6.....	173-21	\$36.03
<i>Super-strong ARP bolts are rated to 170,000 psi tensile strength for greater reliability.</i>		
Throw Out Bearing for standard external slave cylinder.....	1410-C26	\$49.99
Retaining Clip for Throw Out Bearing, H.D.....	1410-C27	\$2.99
Bobbin for Standard Clutch (external slave cylinder), 1.10".....	1410-C28-3	\$129.99
Longer Bobbin for racing clutch such as OT2, 2.14".....	1410-C28-4	\$184.99
Replacement Bushing for Standard Bobbin.....	1410-C44-3	\$5.99
Replacement Bushing for longer OT2 Bobbin.....	1410-C44-4	\$7.99
Clutch Alignment Tool, 1" x 23 spline.....	173-40	\$10.49

Ford 2.0L Tilton OT2 7 1/4 inch Single Plate Clutches

The Tilton OT2 is a very lightweight and well-made open style clutch. The aluminum cover is much stiffer and lighter than the stamped steel cover used on other popular racing clutches. The heavier Gray spring is rated to 310 lb-ft of torque and works well with internal slave cylinders (although pedal effort is high). The lighter effort Orange spring is rated to 250 lb-ft. more than enough for Pinto-engined FF2000 and Sports 2000. Racing clutches take quite high force to actuate. Cable operated release mechanisms will not work with either of these clutches. Requires a specially modified flywheel.

Description	Part No.	Price
Tilton OT2 Clutch, Orange, without disc (less bolts).....	163-15- <i>Orange</i>	\$408.00
Tilton OT2 Clutch, Gray, without disc (less bolts).....	173-15- <i>Gray</i>	\$408.00
7 1/4 inch clutch disc, 1" x 23 spline.....	173-16-OT2	\$89.25
Bolt Kit for attachment to flywheel.....	173-19-OT2	\$21.25
<i>Includes 6 AN5-13A (5/16-24 fine thread) bolts and washers</i>		
Replacement clutch cover with Orange spring.....	163-17- <i>Orange</i>	\$272.00
Replacement clutch cover with Gray spring.....	173-17- <i>Gray</i>	\$272.00
Replacement pressure plate.....	173-18-OT2	\$140.25

1.6L and 2.0L Tilton OT3 5 1/2 inch Clutches



The 5 1/2 inch diameter Tilton OT3 clutches reduce rotational inertia significantly over a 7 1/4 inch clutch, resulting in improved acceleration and reduced stress to the crankshaft during gear changes. The drawback is that disc wear is more rapid than with 7 1/4 inch clutches. We offer both single and twin plate versions for 1.6L and 2.0L applications. The single plate version is rated to 250 lb-ft of torque and the twin plate version is rated to 500 lb-ft. Note that the torque capacity of the twin plate version declines rapidly when the discs are worn because four friction surfaces wear simultaneously. You should be prepared to replace discs at regular intervals, especially on the twin plate version. Other discs available via special order.

Description	Part No.	Price
Tilton OT3 Twin Plate Clutch, Gray, without discs.....	173-50	\$569.50
Set of 5 1/2" Discs, 7/8" x 20 spline for Ford 1.6L, std. hubs.....	173-51	\$178.50
Set of 5 1/2" Discs, 7/8" x 20 spline, 1 std. & 1 thin hub.....	173-53	\$178.50
<i>The thin hub provides more clearance for flywheel bolts but greatly increases the stress on the splines. This could result in damaged splines on higher torque applications.</i>		
Set of 5 1/2" Discs, 1" x 23 spline for Ford 2.0L, standard hubs.....	173-52	\$178.50
Replacement Floater Plate for OT3 twin plate clutch.....	173-56	\$85.00
Tilton OT3 Single Plate Clutch, Gray, without discs.....	173-60	\$450.50
5 1/2" Single Disc, 7/8" x 20 spline for Ford 1.6L, standard hub.....	173-61	\$89.25
5 1/2" Single Disc, 1" x 23 spline for Ford 2.0L, standard hub.....	173-62	\$86.99
Replacement Pressure Plate for all OT3 clutches.....	173-55	\$131.75