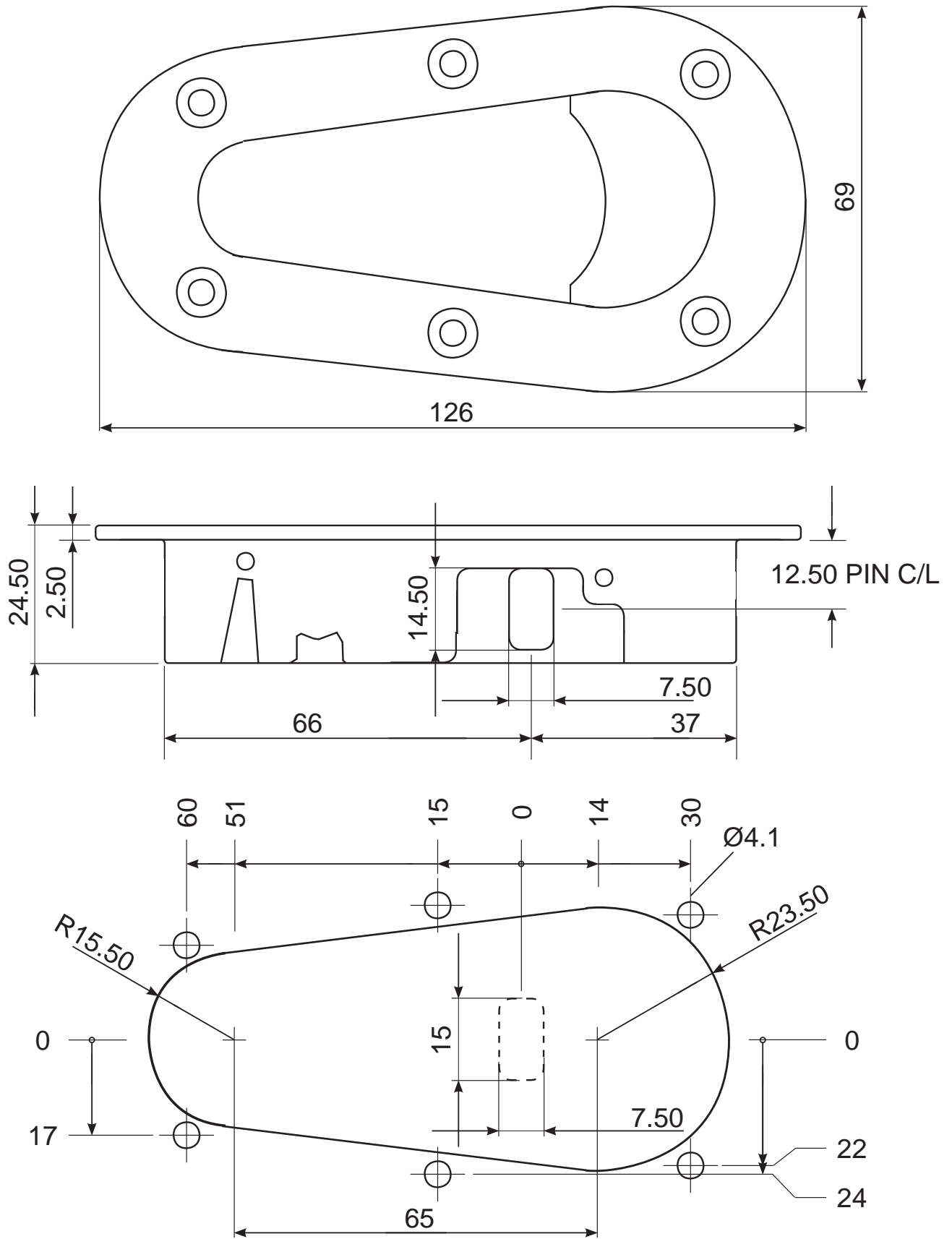


AeroCatch Dimensions



PANEL CUTTING GUIDE
NOT TO SCALE